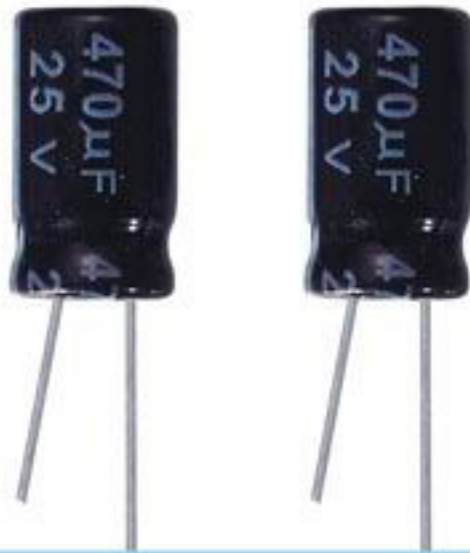


電解電容標準品 (CD268型)

Electrolytic capacitor standard



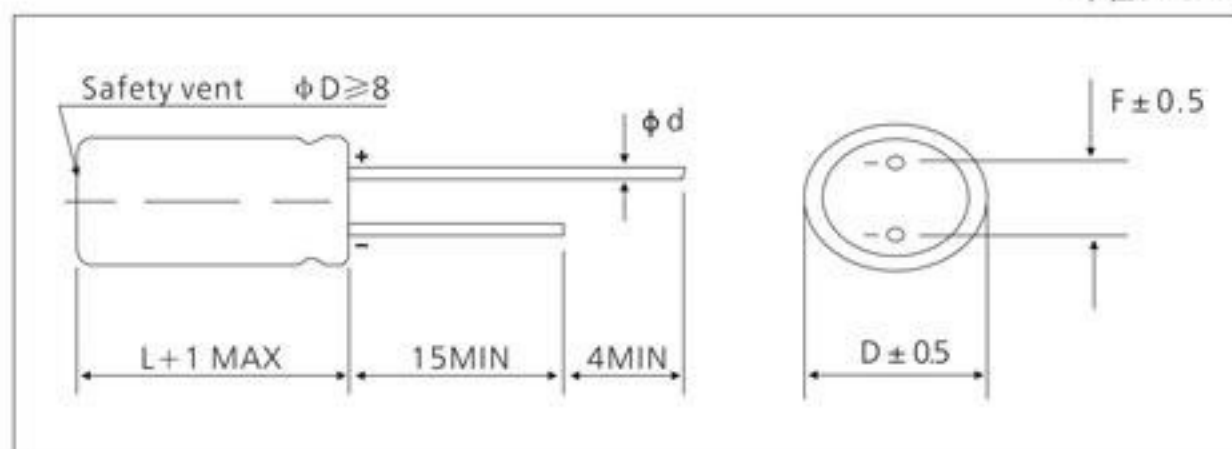
- 寬溫度產品，105°C，1000小時壽命，體積小，容量大；
- 適用VCD、DVD、背投彩電、空調等線路中。
- Wide temperature range, 105°C, Load life: 1000 hours, small size, large capacity;
- Used in VCD, DVD, color-TV, air conditioning circuits etc.

主要技術性能 Specifications →

| 項目 Item | 特性 Performance Characteristics | | | | | | | | | | | | | | | | | | | | | | | | | | | | | | | | |
|---|---|---------------------------------|-------|--------|---------|------|------|------|---------|--------------------|-----|----|-------|--------|---------|-----|-----|---------------|---------|------|------|------|------|------|------|---------------|------|------|------|----|---|---|---|
| 使用溫度範圍 Operating temperature range | -40~+105°C | -25~+85°C | | | | | | | | | | | | | | | | | | | | | | | | | | | | | | | |
| 額定電壓範圍 Rated voltage range | 6.3~100V | 160~450V | | | | | | | | | | | | | | | | | | | | | | | | | | | | | | | |
| 標稱電容量範圍 Nominal capacitance range | 0.1~10000µF | 0.47~220µF | | | | | | | | | | | | | | | | | | | | | | | | | | | | | | | |
| 標稱電容量允許偏差 Capacitance tolerance | ±20%(120Hz, +20°C) | | | | | | | | | | | | | | | | | | | | | | | | | | | | | | | | |
| 漏電流 Leakage current | 1≤0.01CV(µA)或3µA 1分鐘(1 minute) 取較大者(Whichever is greater) | 1≤0.02CV(µA)+15µA 1分鐘(1 minute) | | | | | | | | | | | | | | | | | | | | | | | | | | | | | | | |
| 損耗角正切值 (tg δ) Dissipation factor (+20°C, 120Hz) | <table border="1"> <thead> <tr> <th>U_r(V)</th> <th>6.3</th> <th>10</th> <th>16</th> <th>25</th> <th>35</th> <th>50</th> <th>63</th> <th>100</th> <th>160~450</th> </tr> </thead> <tbody> <tr> <td>tg δ</td> <td>0.25</td> <td>0.20</td> <td>0.17</td> <td>0.15</td> <td>0.12</td> <td>0.10</td> <td>0.09</td> <td>0.08</td> <td>0.20</td> </tr> </tbody> </table> | | | | | | | | | U _r (V) | 6.3 | 10 | 16 | 25 | 35 | 50 | 63 | 100 | 160~450 | tg δ | 0.25 | 0.20 | 0.17 | 0.15 | 0.12 | 0.10 | 0.09 | 0.08 | 0.20 | | | | |
| U _r (V) | 6.3 | 10 | 16 | 25 | 35 | 50 | 63 | 100 | 160~450 | | | | | | | | | | | | | | | | | | | | | | | | |
| tg δ | 0.25 | 0.20 | 0.17 | 0.15 | 0.12 | 0.10 | 0.09 | 0.08 | 0.20 | | | | | | | | | | | | | | | | | | | | | | | | |
| 溫度特性 Temperature characteristics (Impedance ratio at 120Hz) | <table border="1"> <thead> <tr> <th>U_r(V)</th> <th>6.3</th> <th>10</th> <th>16~50</th> <th>63~100</th> <th>160~250</th> <th>400</th> <th>450</th> </tr> </thead> <tbody> <tr> <td>Z-25°C/Z+20°C</td> <td>-</td> <td>-</td> <td>-</td> <td>-</td> <td>≤6</td> <td>≤8</td> <td>≤15</td> </tr> <tr> <td>Z-40°C/Z+20°C</td> <td>≤8</td> <td>≤6</td> <td>≤4</td> <td>≤3</td> <td>-</td> <td>-</td> <td>-</td> </tr> </tbody> </table> | | | | | | | | | U _r (V) | 6.3 | 10 | 16~50 | 63~100 | 160~250 | 400 | 450 | Z-25°C/Z+20°C | - | - | - | - | ≤6 | ≤8 | ≤15 | Z-40°C/Z+20°C | ≤8 | ≤6 | ≤4 | ≤3 | - | - | - |
| U _r (V) | 6.3 | 10 | 16~50 | 63~100 | 160~250 | 400 | 450 | | | | | | | | | | | | | | | | | | | | | | | | | | |
| Z-25°C/Z+20°C | - | - | - | - | ≤6 | ≤8 | ≤15 | | | | | | | | | | | | | | | | | | | | | | | | | | |
| Z-40°C/Z+20°C | ≤8 | ≤6 | ≤4 | ≤3 | - | - | - | | | | | | | | | | | | | | | | | | | | | | | | | | |
| 耐久性 Load life | +105°C加額電壓1000小時後，恢復16小時後： After applying rated voltage for 1000 hours at +105°C and then resumed 16 hours: 電容量變化率 Capacitance Change: ±20% 初始測量值以內Initial measured value 漏電流 Leakage Current: ≤ 初始規定值Initial specified value 損耗角正切值 Dissipation Factor: ≤2倍 初始規定值Initial specified value | | | | | | | | | | | | | | | | | | | | | | | | | | | | | | | | |
| 高溫貯存 Shelf life | +105°C，1000小時貯存後，恢復16小時後： After storage for 1000 hours at +105°C and then resumed 16 hours: 電容量變化率 Capacitance Change: ±20% 初始測量值以內Initial measured value 漏電流 Leakage Current: ≤ 初始規定值Initial specified value 損耗角正切值 Dissipation Factor: ≤2倍 初始規定值Initial specified value | | | | | | | | | | | | | | | | | | | | | | | | | | | | | | | | |

外形圖及尺寸表 Case size table →

單位Unit:mm



| | | | | | | | | |
|---|-----|-----|-----|-----|-----|----|-----|----|
| D | 5 | 6 | 8 | 10 | 13 | 16 | 19 | 22 |
| F | 2 | 2.5 | 3.5 | 5.0 | 7.5 | 10 | | |
| d | 0.5 | | | 0.6 | | | 0.8 | |

| | |
|-------|------------|
| α MAX | (L<20) 1.5 |
| | (L≥20) 2.0 |

| | |
|-------|------------|
| α MAX | (D<20) 0.5 |
| | (D≥20) 1.0 |



東莞市國宇電子有限公司
Dongguan Guoyu Electronics Co., Ltd.

TEL: 0769-8581 1913 8590 0925 8308 5077

FAX: 0769-8583 5425

http: //www.guochang.com.cn

E-mail: guochangelec@163.com

電解電容標準品 (CD268型)

Electrolytic capacitor standard

尺寸 Dimensions →

| 電壓 U_c | $\phi D \times L$ (mm) | | | | | | | | | | | | | |
|----------------------|------------------------|------|--------------|------|--------------|------|--------------|------|--------------|------|--------------|------|--------------|------|
| | 6.3V | | 10V | | 16V | | 25V | | 35V | | 50V | | 63V | |
| 容量 C_c (μF) | 0J | | 1A | | 1C | | 1E | | 1V | | 1H | | 1J | |
| 0.1 | | | | | | | | | | | 5×11 | 3 | | |
| 0.22 | | | | | | | | | | | 5×11 | 4 | | |
| 0.33 | | | | | | | | | | | 5×11 | 5 | | |
| 0.47 | | | | | | | | | | | 5×11 | 6 | | |
| 1 | | | | | | | | | | | 5×11 | 9 | | |
| 2.2 | | | | | | | | | | | 5×11 | 11 | | |
| 3.3 | | | | | | | | | | | 5×11 | 15 | | |
| 4.7 | | | | | | | | | | | 5×11 | 18 | 5×11 | 20 |
| 10 | | | | | 5×11 | 20 | 5×11 | 25 | 5×11 | 25 | 5×11 | 25 | 5×11 | 30 |
| 22 | | | | | 5×11 | 30 | 5×11 | 35 | 5×11 | 35 | 5×11 | 40 | 6×11 8×11 | 50 |
| 33 | | | | | 5×11 | 40 | 5×11 | 40 | 5×11 | 50 | 6×11 8×11 | 60 | 8×11 | 60 |
| 47 | | | 5×11 | 45 | 5×11 | 50 | 5×11 | 50 | 6×11 8×11 | 65 | 6×11 8×11 | 70 | 8×12 | 90 |
| 100 | 5×11 | 60 | 5×11 | 80 | 6×11 8×11 | 80 | 6×11 8×11 | 90 | 8×12 | 110 | 8×12 | 120 | 10×13 | 150 |
| 220 | 6×7 8×11 | 100 | 6×11 8×11 | 110 | 8×12 | 140 | 8×12 | 150 | 10×13 | 190 | 10×16 | 240 | 10×20 | 270 |
| 330 | 8×11 | 120 | 8×12 | 160 | 8×12 | 180 | 10×13 | 220 | 10×16 | 260 | 10×20 | 320 | 13×20 | 380 |
| 470 | 8×11 | 170 | 8×12 | 190 | 10×13 | 250 | 10×16 | 290 | 10×20 | 350 | 13×20 | 430 | 13×25 | 500 |
| 1000 | 10×13 | 300 | 10×16 | 360 | 10×20 | 440 | 13×20 | 540 | 13×25 | 620 | 16×25 | 790 | 16×31 | 900 |
| 2200 | 13×20 | 580 | 13×20 | 620 | 13×25 | 700 | 16×25 | 880 | 16×31 | 1030 | 19×35 | 1230 | 19×40 | 1310 |
| 3300 | 13×20 | 670 | 13×25 | 800 | 16×25 | 970 | 16×31 | 1120 | 19×35 | 1320 | 19×40 | 1400 | 22×40 | 1730 |
| 4700 | 16×25 | 1000 | 16×25 | 1050 | 16×31 | 1240 | 19×35 | 1440 | 19×40 | 1540 | 22×40 | 1780 | | |
| 6800 | 16×25 | 1120 | 16×31 | 1300 | 19×35 | 1530 | 19×40 | 1630 | 22×40 | 1880 | | | | |
| 10000 | 19×35 | 1320 | 19×35 | 1620 | 19×40 | 1730 | 22×40 | 2000 | | | | | | |

※以上尺寸僅供參考，可依客戶要求訂制。The above sizes are only for reference, and we can make as customer request.

| 電壓 U_c | $\phi D \times L$ (mm) | | | | | | | | | | | |
|----------------------|------------------------|------|-------|-----|-------|-----|-------|-----|----------------|-----|-------|-----|
| | 100V | | 160V | | 200V | | 250V | | 400V | | 450V | |
| 容量 C_c (μF) | 2A | | 2C | | 2D | | 2E | | 2G | | 2H | |
| 0.1 | | 3 | | | | | | | | | | |
| 0.22 | | 4 | | | | | | | | | | |
| 0.33 | | 5 | | | | | | | | | | |
| 0.47 | | 6 | 5×11 | 8 | 8×11 | 6 | 8×11 | 6 | | | | |
| 1 | | 9 | 5×11 | 12 | 8×11 | 9 | 8×11 | 9 | 10×16 | 15 | | |
| 2.2 | | 15 | 8×11 | 15 | 8×11 | 15 | 8×12 | 15 | 10×16 | 20 | 10×16 | 29 |
| 3.3 | | 18 | 8×12 | 20 | 8×12 | 20 | 10×13 | 20 | 10×16 10×20 | 25 | 10×20 | 35 |
| 4.7 | | 20 | 8×12 | 25 | 10×13 | 30 | 10×13 | 30 | 13×20 16×25 | 40 | 13×20 | 50 |
| 10 | 6×11 8×11 | 35 | 10×13 | 40 | 10×16 | 45 | 10×20 | 45 | 10×20 13×20 | 70 | 13×25 | 75 |
| 22 | 8×12 | 65 | 10×20 | 70 | 10×20 | 70 | 13×25 | 80 | 16×31 | 110 | 16×31 | 110 |
| 33 | 10×13 | 95 | 13×20 | 110 | 13×25 | 110 | 13×25 | 100 | 19×35 | 180 | 19×35 | 150 |
| 47 | 10×16 | 120 | 13×25 | 140 | 13×25 | 140 | 16×25 | 140 | | | 22×40 | 230 |
| 100 | 13×20 | 220 | 16×25 | 250 | 16×31 | 250 | 19×35 | 260 | | | | |
| 220 | 16×25 | 420 | 19×35 | 430 | | | | | | | | |
| 330 | 16×31 | 510 | | | | | | | | | | |
| 470 | 19×31 | 680 | | | | | | | | | | |
| 10000 | 19×40 | 1200 | | | | | | | | | | |

額定波紋電流 Rated ripple current (mA, +105°C, 120Hz)

※以上尺寸僅供參考，可依客戶要求訂制。The above sizes are only for reference, and we can make as customer request.